

DSP 154H 15W Outdoor Waterproof Horn Speaker

Features



- Waterproof, IPX6
- Suitable for outdoor use
- Built-in 100v/70v transformer
- Max SPL: 117±2dB
- Wide Freq.Resp.: 400Hz-8kHz
- High sensitivity: 105±2dB
- Equipped with brackets for installation

Description

DSP154H is a waterproof horn speaker with built in 70v/100v transformer. The 70v/100v transmission is realized in a high-voltage, low-current mode, which makes longer distance transmission and parallel connection of multiple loudspeakers possible.

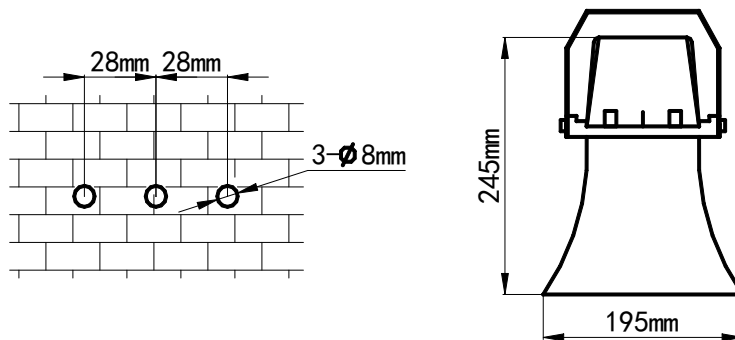
This speaker is designed of wide frequency response (400Hz-8kHz); It is made of high quality aluminum, which ensures long-term durability, and will never be out of shape; Waterproof, suitable for outdoor use; Equipped with brackets for installation; Driver surround excellent damping, long life, clear and sonorous sounds.

It can be applied to different occasions vary from area sizes and background noises, such as station, park, school, square, military camp, industrial park, etc.

Specification

MODEL	DSP154H
Rated Power	15W
Max Power	30W
Line Voltage	70/100V
Sensitivity(1M,1W)	105±2dB
Max SPL(1M)	117±2dB
Freq. Resp	400Hz-8kHz
Dimension(L×W×H)	195*195*250mm
Weight	1.7kg

Positioning & Dimensions



Installation

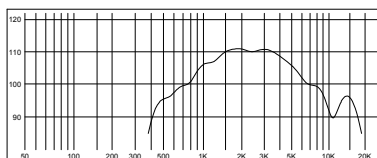
1. Fit three $\Phi 8\text{mm}$ screws in the position where needed to install a speaker;
2. Set the system in those three screws;
3. Connect audio broadcasting wire to the impedance according to the table below;

	70V	100V
2.5K Ω	2 W	4 W
1.3K Ω	4 W	8 W
660 Ω	8 W	15W

4. Finally, adjust the direction of the system and examine whether it is steady.

FREQ. RESPONSE

(dB SPL, 1W, 1m)



DISTORTION

(THD < 1.5% 1W, 1m, 100Hz~10kHz)

