

# MP9811P 5 Mic 3 Aux Input Preamplifier

## Features

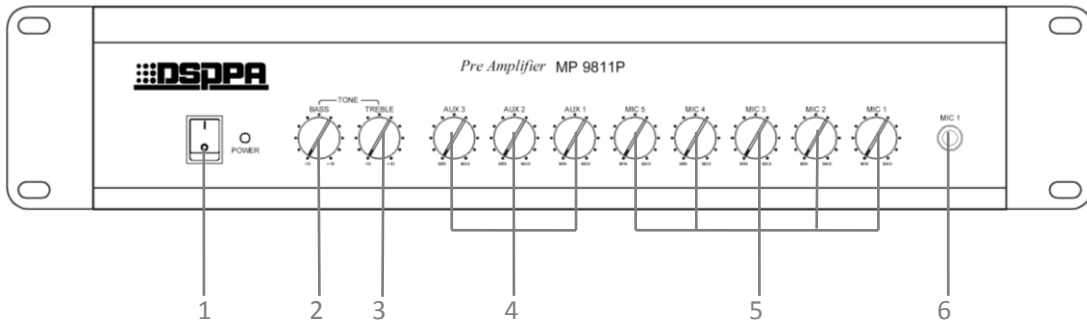


- 10 inputs (5 microphone inputs, 3 auxiliary inputs, 2 emergency inputs) and 2 outputs.
- Individual input volume control and master tone control.
- LED level indicate for each channel
- Built-in chime and muting function.
- Bass and Treble tone control.

## Specification

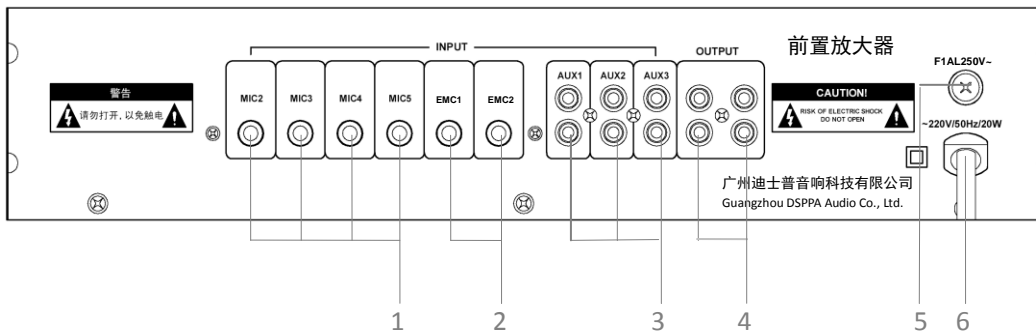
|                         |   |
|-------------------------|---|
| Model                   | MP9811P   |
| Inputs                  | Mic1, 2, 3, 4, 5: 600Ω, 2.5mV, unbalanced<br>Aux1, 2, 3 : 10kΩ, 250mV, unbalanced |
| Audio output            | 0dBV  |
| Frequency response      | Mic: 100Hz-15kHz (±3dB) ; Line: 20Hz-18kHz (±3dB)                                 |
| Signal/ noise ratio     | Mic input : 80dB<br>Aux input : 90dB  |
| Tone                    | Bass : ±10dB (100Hz)<br>Treble : ±10dB (10kHz)                                    |
| Protection              | AC fuse   |
| Power Requirement       | AC 220-240V/50-60Hz   |
| Outer Packing Size (mm) | (L×W×H) 530×440×195   |
| Unit Size (mm)          | (L×W×H) 484×365×88  |
| Gross weight            | 8kg   |
| Net weight              | 6.2kg   |

## Front Panel



- |                   |                                     |
|-------------------|-------------------------------------|
| 1 Power switch.   | 4 AUX 3, 2, 1 volume control.       |
| 2 Bass control.   | 5 MIC 5, 4, 3, 2, 1 volume control. |
| 3 Treble control. | 6 MIC 1 input.                      |

## Rear Panel and Connection



- |                          |                  |
|--------------------------|------------------|
| 1 MIC 2, 3, 4, 5 inputs. | 4 OUTPUT jacks.  |
| 2 EMC 1, 2 inputs.       | 5 AC FUSE.       |
| 3 AUX 1, 2, 3 inputs.    | 6 AC power cord. |

