

DSP5053 DSP5153 DSP5253

PA Speaker



Description

This series of products is a multi-functional loudspeaker, available in wall-mounted, pendant, and floor types. This series of products can provide high-quality voice and music reproduction functions, and relatively long sound transmission distance. It is suitable for conference rooms, shopping malls, exhibition halls and other indoor and outdoor occasions.

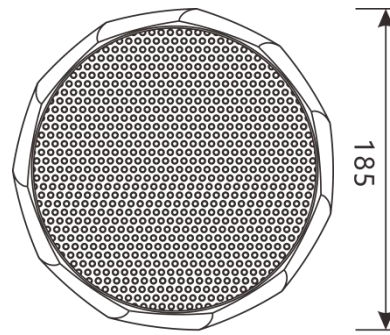
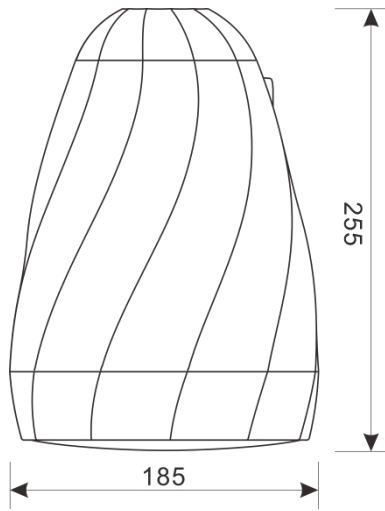
Features

- Suitable for public address and background music playback.
- With clear and bright sound, bringing quality sound experience.
- Using high-quality PP material for drum paper of the speaker unit, rubber edge moisture-proof treatment, and silk dome tweeter for good sound quality and timber performance.
- Simple in appearance and shape, using fine round hole diffusion design for the mesh, beautiful and durable, so that the speaker can be perfectly integrated into any occasion.
- Using high-strength ABS material for the shell, sturdy and durable.
- Equipped with mounting bracket, easy to install.

Specifications

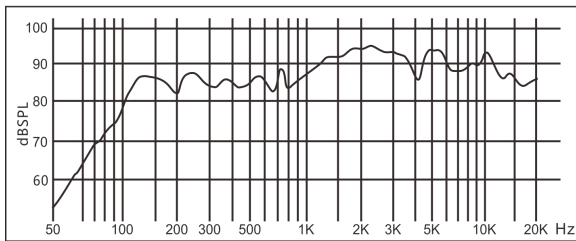
Model	DSP5053/DSP5153/DSP5253
Speaker Unit	5.25"×1+1"×1
Rated Power (RMS)	30W
Working Voltage	70V/100V
Sensitivity (1m, 1W)	86dB±2dB
MAX. SPL. (1m)	101dB±2dB
Frequency Response	110Hz~20kHz
Dimensions (H×W×D)	∅185×255mm
Weight	2.6kg

Product Information



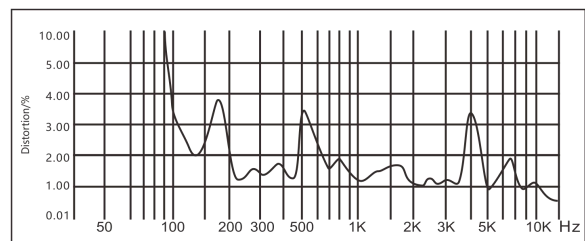
Unit: mm

Frequency Response
(dB SPL, 1W, 1m)



Distortion

(THD < 5% 1W, 1m, 100Hz-10kHz)



Directivity

