

DSP270E

High-Power POE Horn Speaker



Description

This device is a network outdoor horn speaker that can be powered by POE+ (AT standard), POE++ (BT standard), and a network active horn speaker that supports public address and intercom network system. With the support of the international standard SIP protocol, it can accept broadcasts and calls from LAN, and can be quickly deployed to the required place with only one network cable. With wide sound diffusion angle, it is easy to install and provides excellent reproduction of speech and music.

Features

- 10/100M adaptive, support DHCP/static IP.
- Support standard SIP protocol.
- Support audio formats: MP3, WAV, etc.
- Can play background music, emergency paging, alarm signals, etc. from the host system.
- Adopt high-quality ABS plastic and high-dynamic range speaker unit for clearer and brighter sound.
- Equipped with mounting brackets for easy installation.
- All-weather design, suitable for both indoors and outdoors, applicable to different occasions.

Specifications

		Indicators	Specifications
	Acoustic System	Sensitivity (1m, 1W)	106±3dB
		Maximum Sound Pressure Level (1m)	121±3dB
		Frequency Response	300Hz-5kHz
		NET Frequency Response	80Hz-16kHz (±3dB)
System Amplifier	Playback	Playback Sensitivity	-10dB
	Built-in Amplifier	Distortion	≤1%
		S/N Ratio	≥76dB

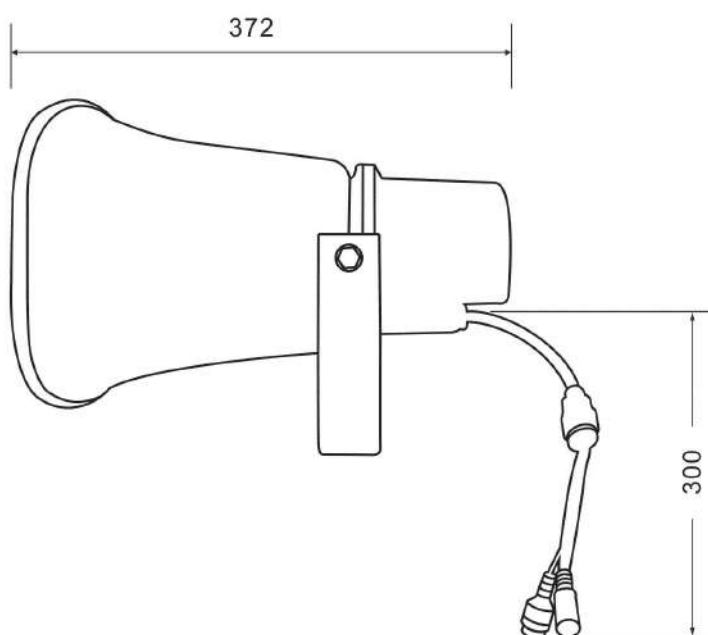
Power Supply	PoE+, POE++, DC24V 2.5A
Rated Power (RMS)	802.3at (PoE+) 15W, 802.3bt (PoE++) 50W, DC24V 50W
Outer Package Dimensions (H×W×D mm)	480*340*435
Machine Dimensions (H×W×D mm)	410*270*372
Gross Weight	5.2KG
Net Weight	3.75KC

Front / Rear Panel

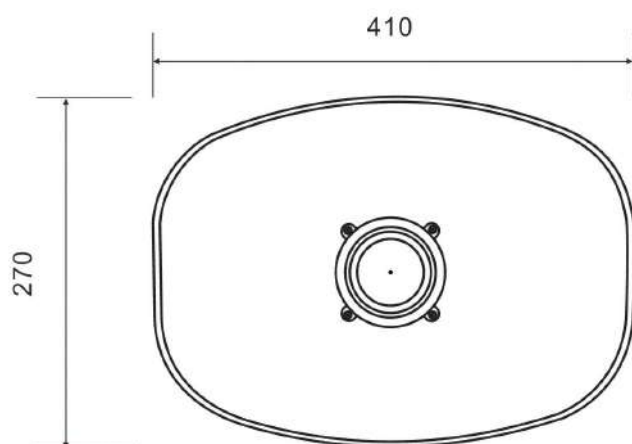
Appearance Description

Side View

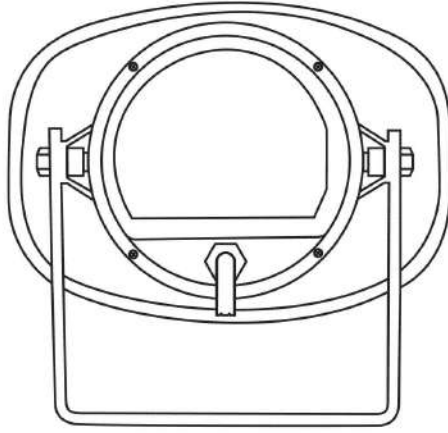
Unit: mm



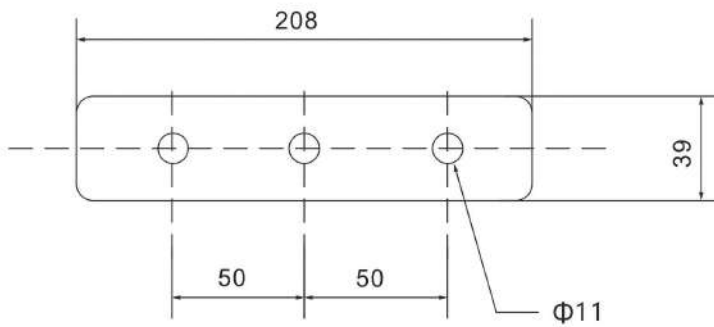
Front View



Rear View



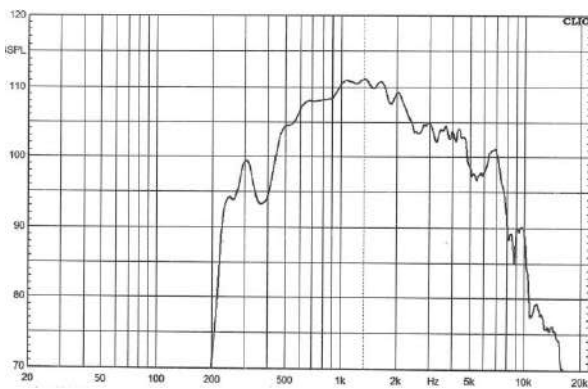
Mounting Bracket View



Performance Indicators

Frequency Response

(dB SPL, 1W, 1m)



Distortion

(THD<1.5% 1W, 1m, 200Hz~10kHz)

