

DSP3012H

300W All-Weather Compact Coaxial Horn Loudspeaker



Description

The DSP3012H is a compact, coaxial-driver, 2-way, highly weather-resistant PA loudspeaker system which is ideal for speech and music-fill in a wide variety of applications, including sports facilities, racetracks, stadiums, fairgrounds, rodeos, skating rinks, themed entertainment venues, cruise ships, water parks, outdoor background music/paging systems, swimming pools, and a wide variety of other outdoor or indoor venue types.

Features

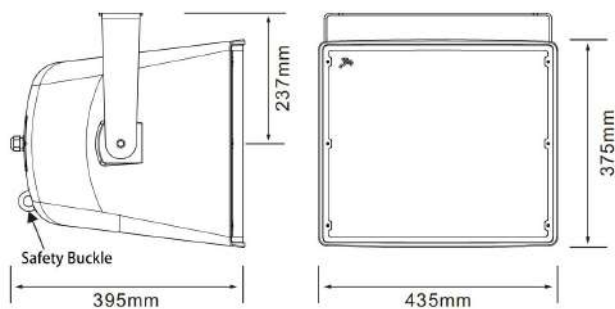
- Water resistance: high-strength ABS material appearance, aluminum mesh.
- High-quality sound, beautiful music, coaxial-driver design, 2-way speaker.
- Sensitivity: $103 \pm 3\text{dB}$
- Support 70V/100V/8 Ω input
- Reach a maximum power of 600W
- Long transmission distance, small size, loud and clear speaker

Specifications

Model	DSP3012H
Rated Power	300W
Max. Power	600W
Sensitivity (dB)	$103 \pm 3\text{dB}$
Frequency Response (Hz)	70Hz-20kHz
Open Angle (1KHz/-6dB)	60-120°

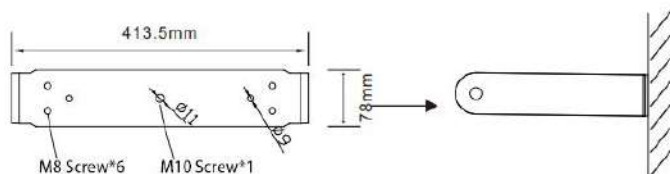
Input Method	70V/100V/8 Ω
Dimensions (H×W×D) (mm)	375×435×395mm
Weight	20.3kg
Color	Black

Product Information

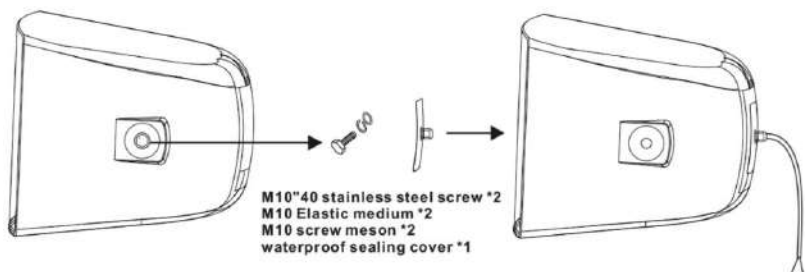


Installation Steps

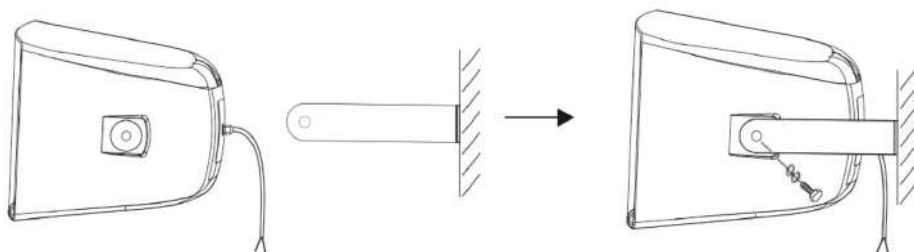
1. Mounting the stable bracket



2. Remove the screws on the horn box for spare use and remove the waterproof seal cover. Connect with the wiring diagram according to the customer's needs, and tighten the seal cover after connection.



3. Combine the horn speaker with the wall bracket



4. Please confirm the mounting stable.

