

## DSP354

### High-Intelligibility Horn Speaker



#### Description

This device is a two-way speaker, which consists of 3" horn + 5" full-range unit. It provides high-efficiency sound reinforcement of the horn speaker and ensures clear and undistorted sound quality over long distances. It is designed with waterproof and aluminum mesh, and the shell is made of weather-resistant engineering plastic ASA for long-term use.

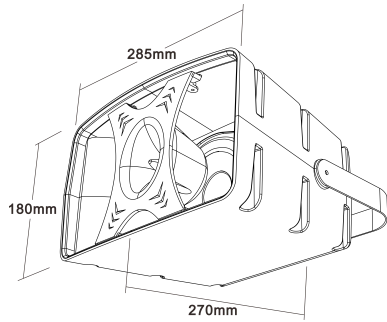
#### Features

- The two-way speaker unit (3" horn + 5" full-range unit) structure, which provides high-efficiency sound reinforcement characteristics of the horn speaker and ensures clear and undistorted sound quality; the speaker is an ideal choice for the sound reinforcement system in modern public places to transmit over long distances with good sound quality.
- Waterproof design, aluminum mesh, with the shell made of weather-resistant engineering plastic ASA, long-term use without discoloration or aging.

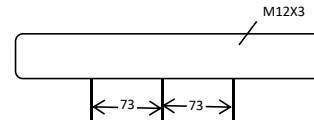
#### Specifications

Model	DSP354
Frequency Response	80 Hz-20, 000 Hz
Sensitivity (1m, 1W)	93±2 dB
MAX. SPL.	109±2 dB
Input Voltage	100V
Rated Power	45W
Product Weight	3.5 kg

## Dimensions



## Bracket Mounting Holes



## Installation Instructions

1. Install three 10mm diameter screws at the location where the loudspeaker is to be mounted, as shown in the figure on the right.
2. Fix the speaker bracket on these three screws correspondingly.
3. Connect the audio broadcast transmission line (confirm input voltage).