

## DSP6030P DSP8050P

### Pendant Speaker



DSP6030P



DSP8050P

#### Description

This product is an 8Ω pendent speaker, available in two options. It is made of PP material and features IP66 waterproof level. In addition, it holds power taps to cater for diverse needs of different applications.

#### Features

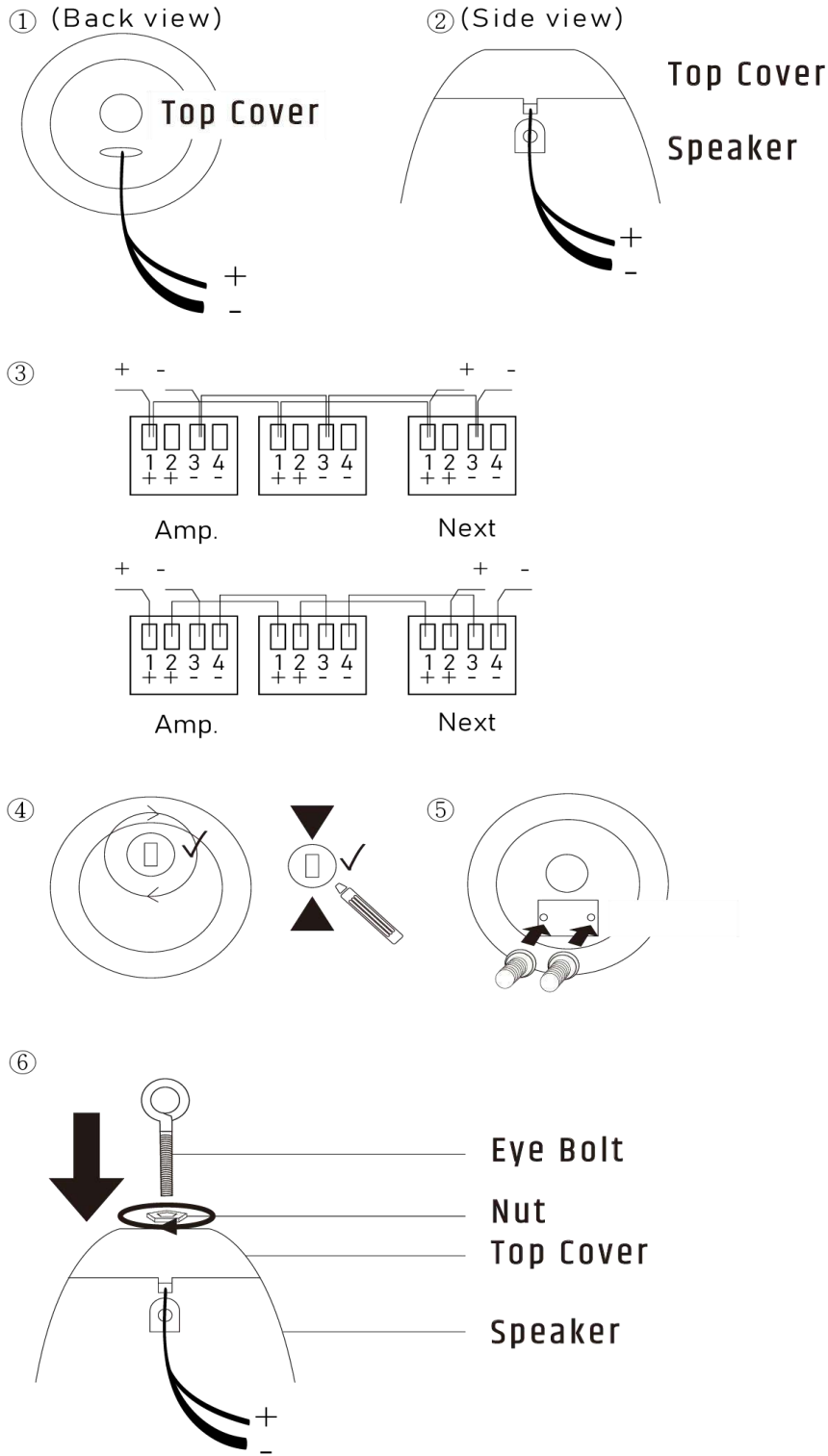
- An 8Ω constant-resistance speaker.
- Made of PP material.
- With IP66 waterproof level.
- With a wide frequency range.
- With power taps for different application scenarios.

#### Specifications

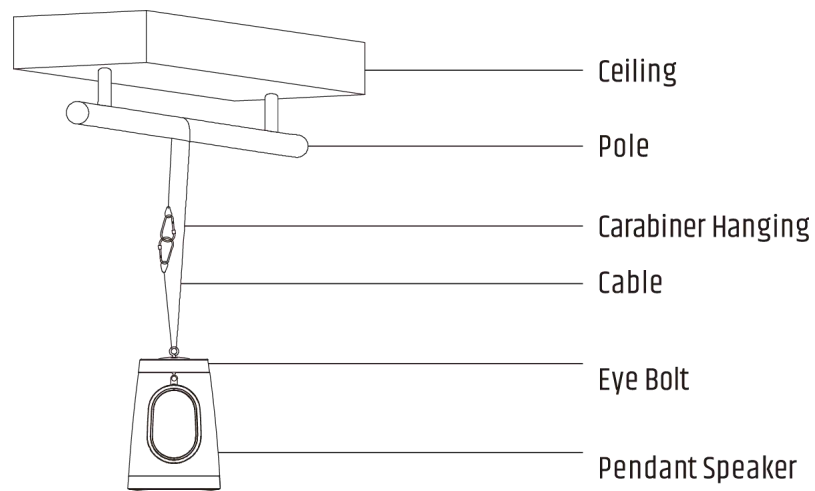
Model	DSP6030P	DSP8050P
Tweeter	1" (25mm) silk soft dome	1" (25mm) silk soft dome
Woofers	6.5" (165mm) graphite cone, rubber surround	8" (203mm) graphite cone, rubber surround
Frequency Range +/-3 Power	47Hz-20kHz	37Hz-20kHz
RMS	40W	50W
Sensitivity	85dB	86dB
Taps	8Ω, 0, 40W, 20W, 10W, 5W	8Ω, 0, 50W, 25W, 12.5W, 6.25W
Impedance	8 ohms	8 ohms
Termination	Pluggable terminal blocks	Pluggable terminal blocks

Attachment	Safety rope	Safety rope
Dimensions (H*W)	282mm×214mm	375mm×253.4mm
Certifications	IP66 waterproof speaker	IP66 waterproof speaker
Material	PP	PP

## Speaker Connection



## Hanging Information



Make sure the speaker is properly secured to the ceiling / building's structure. Please use the proper screws, bolts, or anchors (not included). Failure to do so may cause the speaker to become unsecured & cause potential damages/injuries.