

MAG1515N

Network Acoustic Hailing Device



Description

The network acoustic hailing device is characterized by portability, high sound pressure level, high orientation, and high intelligibility, and is applicable to military systems (anti-terrorist, anti-explosion, border defense, coastal defense, maritime surveillance and law enforcement, and sentry posts), public security systems (group emergency control, public security and stability maintenance, etc.), public safety systems (joint defense for public security, firefighting, safety supervision, and bird-driving at airports), emergency systems (emergency rescue, meteorological warning, and geological warning), public address systems (plazas, wharf, factories, and large-scale engineering), etc.

The system includes an acoustic hailing device player, an active long-range directional acoustic device loudspeaker, and a handheld microphone.

Features

Acoustic Hailing Device Player

This device is an audio source device for the active long-range directional acoustic hailing device loudspeaker with digital display screen, USB port, Bluetooth, and MP3, designed to be waterproof.

- With one-key acoustic dispersion.
- With an LCD display screen to display operating status.
- With a built-in player to support USB flash drive playback.
- Support wired-specific MIC input.
- Support MIC recording and recording playback.
- Support line input.
- Paired with the active long-range directional acoustic hailing device loudspeaker to provide sound

sources for the acoustic hailing device loudspeaker, including MP3, Bluetooth, etc.

- With waterproof level IP55, designed to be waterproof.

Handheld Microphone

- The handheld microphone is used to record, store and play recordings, and the microphone stores only one recording at a time.

Active Long-Range Directional Acoustic Hailing Device Loudspeaker

- This device is an active long-range directional acoustic hailing device loudspeaker with portability, high sound pressure level, high orientation, and high intelligibility, suitable for anti-explosion, anti-terrorism, warning and other places.
- Adopt all-weather design, with the housing made of high-strength industrial technology for superior weather resistance.
- With good directional control capability, no directional changes with increasing frequency.
- Support effective dispersion distance of up to 250m for high-power sound.
- Support sound transmission distance of up to 700m 80dB with clear sound.
- Handheld and portable, can be powered by the vehicle-mounted DC26V-28V power supply, with a built-in DC24V Li-ion battery for working up to 1H; keep the charging voltage at DC27V-30V.
- With waterproof level IP55, designed to be waterproof.

Specifications

Acoustic Hailing Device Player

Indicators	Acoustic Hailing Device Player
Input Sensitivity (MIC)	50±5mV
Input Sensitivity (AUX)	300±50mV
Input sensitivity (USB Flash Drive)	-10dB
Input Sensitivity (Bluetooth)	-10dB
Audio Output	2000±200mV
Frequency Response (AUX)	400Hz-8kHz
Frequency Response (MIC)	400Hz-8kHz (±3dB)
Distortion	≤1%
Audio Format	MP3, WAV
Power Supply	DC12V/1A
Player Machine Dimensions	160×122×55mm
Player Net Weight	0.43kg

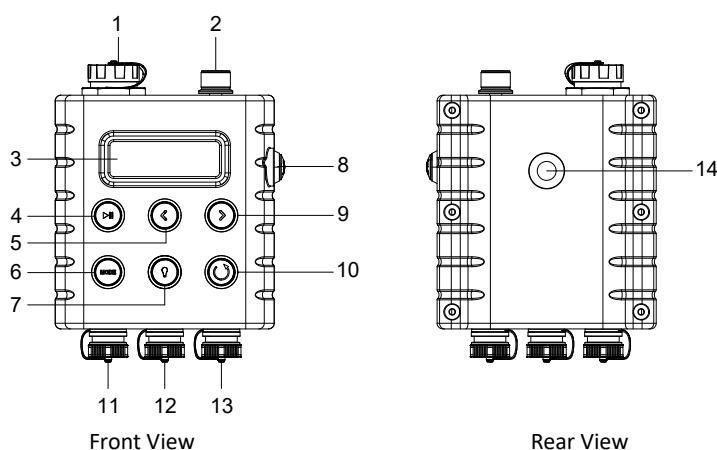
Active Long-Range Directional Acoustic Hailing Device Loudspeaker

Indicators	Active Long-Range Directional Acoustic Hailing Device Loudspeaker
Rated Power	150W
DC Input Voltage	DC27V-30V
Signal Input Voltage	2000±200mV
Rated Impedance	4Ω
Frequency Response	340Hz-6kHz
Maximum Sound Pressure Level (1m)	136±2dB
Beam Angle	±15° (@2.5kHz)

Protection Level	IP55
Package Dimensions (Airline Case)	490×420×340mm
Machine Dimensions of Acoustic Hailing Device Loudspeaker	365×373×217mm
Gross Weight	21kg
Net Weight of Handheld Microphone	0.3kg
Net Weight of Acoustic Hailing Device Loudspeaker	7.8kg

Front / Rear Panel

Acoustic Hailing Device Player



1. USB Port

Support USB2.0 and USB flash drive with a capacity of up to 32G with good compatibility.

2. Volume Knob

Turn clockwise to increase the volume, counterclockwise to decrease the volume.

3. Display Screen

Display the mode, playback status and operating status.

Note: When it displays (AMP PORTECT!), it indicates DC or short circuit protection.

4. Play/Pause Button

In USB mode and Bluetooth mode, it is Pause.

5. Previous Song

In USB and Bluetooth modes, short press the button to toggle to the previous song, and press and hold the button to decrease the volume.

6. Mode Switching Button

Press the button to toggle among USB mode, LINE mode (AUX) and Bluetooth mode (BLUE).

7. Button/Screen Backlight Switch

When using at night, press the button to turn on the button/screen backlight, and the button light is normally green, and press again to turn off the backlight.

8. Play Dispersion Sound Button

Trigger the dispersion signal with one key and press the button again to stop the trigger. This sound source has the highest priority.

9. Next Song

In USB and Bluetooth modes, short press the button to toggle to the next song, and press and hold the button to increase the volume.

10. Play Mode Switching Button

In USB and Bluetooth modes, the play modes are: Loop All (ALL), Random Play (RAN), and Single Cycle (ONE).

11. Handheld Microphone Connector

12. Line Input Port

The mark 1 is the ground terminal, mark 2 is the R input and mark 3 is the L input.

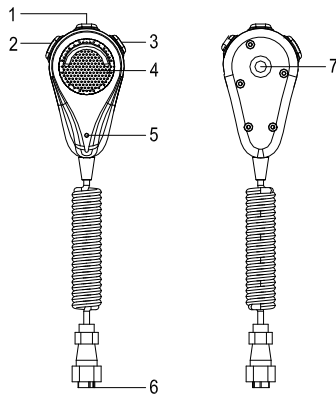
13. Acoustic Hailing Device Loudspeaker Box Wiring Connector

Connect the acoustic hailing device loudspeaker box with a 7-pin shielded cable.

14. Mounting Bracket

Mounted and suspended on the acoustic hailing device loudspeaker box.

Handheld Microphone



1. Green Play Button

After recording voice, press the button again to play the recording.

2. Black Microphone Button

Press the button to speak and the sound is output from the directional acoustic hailing device loudspeaker.

3. Green Record Button

Press the 1 black microphone button and the 3 green record button at the same time to record voice; release the button to stop recording.

4. Microphone Pickup Window

5. Recording Indicator

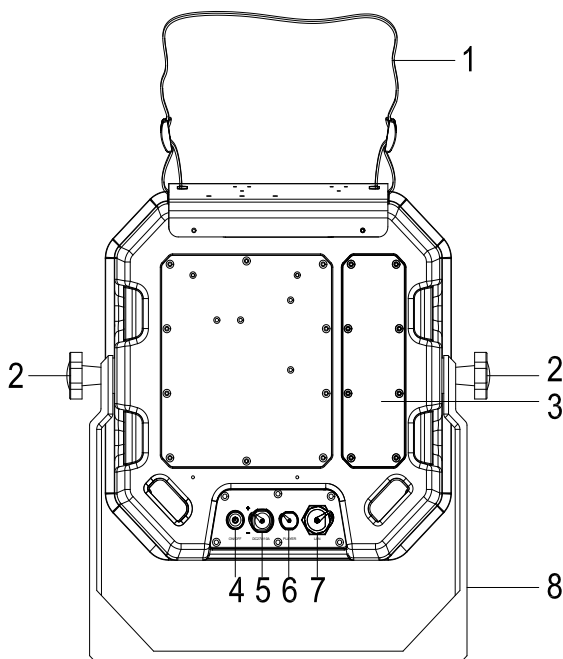
The LED indicator light flashes once while recording/playing back voice.

6. Microphone Connector (connected to the point 11 of 2.1.3 appearance description)

7. Mounting Bracket

Mounted and suspended on the acoustic hailing device loudspeaker box.

Active Long-Range Directional Acoustic Hailing Device Loudspeaker



1. Adjustable Handle Strap

2. Hexagonal Rubber Head Screw

Used to secure the vehicle-mounted bracket.

3. Sealed Battery Compartment

4. Waterproof Self-Reset Power Soft Switch

Press the power switch to turn on the power, and then press and hold the power switch again to turn off the power.

5. DC27V/15A DC Power

Connect the power adapter to power the box.

6. Acoustic Hailing Device Player Wiring Connector

7. Network Interface

8. Vehicle-Mounted Bracket