

DSP5211 DSP5211C

10W Coaxial Ceiling Speaker



Description

This product is a coaxial two frequency ceiling type speaker, with a wide range of sound diffusion, large output power, and easy installation to reproduce the voice and music. It's an ideal choice for you to install a ceiling mounted speaker with a perfect sound quality.

Features

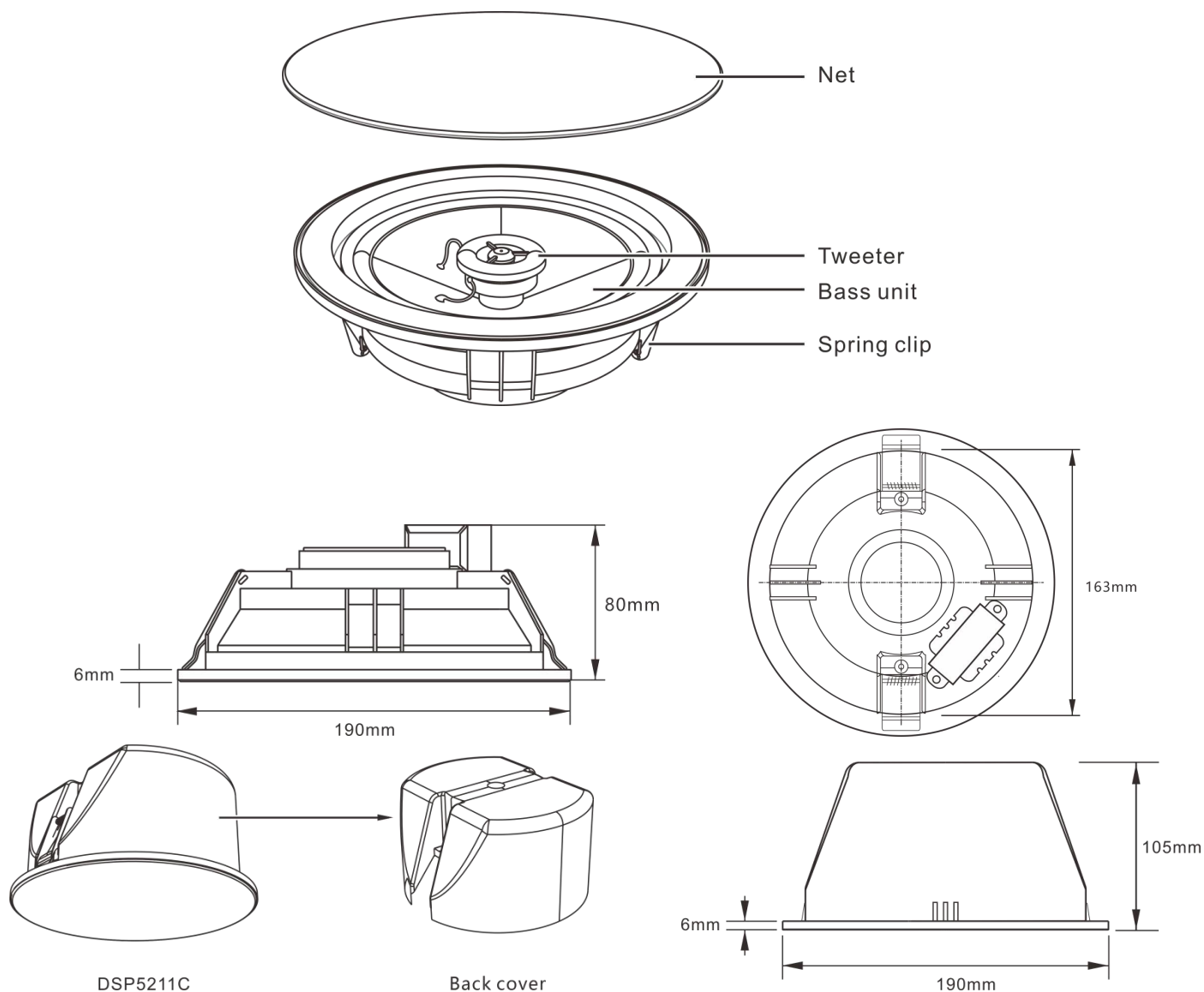
- Adopts the fashionable thin-edge planer and the carbon alloy aluminum mesh design with the RAL white coating so as to integrate with any indoor place perfectly.
- Equipped with a 6.5" bass unit with magnetic circuit encapsulated with special engineering plastic process, and the drum paper formed with tripping and hot pressing of algae salved organisms, for the purpose of super-strong reproduction of voice and music.
- Concentric 0.75" tweeter ,provide clear and clear treble,the diffraction of a high profile provides a broad,uniform coverage.
- It is in conformity with the IEC 268-5 power handling capacity (PHC) standard, and able to operate continuously for 100 hours and carry out simulating acoustic feedback exposure (SAFE) test. It is able to bear the double rated powers within a short period, so as to ensure the high reliability of the loudspeaker under extreme conditions, prolong the service life, and reduce the possibility of occurrence of fault or degradation of performance to a great extent.
- Powerful clip design, durable and reliable, easy to install.

Specifications

Model		DSP5211	DSP5211C
Driver unit		6.5"×1, 0.75"×1	
Rated Power (RMS)		10W	
Rated Voltage	100V	3W-6W-10W	
Rated Voltage		100V	
Sensitivity (1m, 1W)		93±2dB	
MAX. SPL. (1m)		103±2dB	
Frequency Response		90Hz-18kHz	
Product Dimensions		Φ190×80mm	Φ190×105mm
Weight		1.0kg	1.1kg

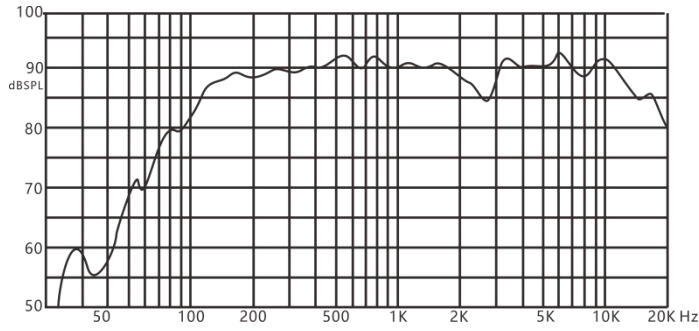
Front / Rear Panel

Product Information



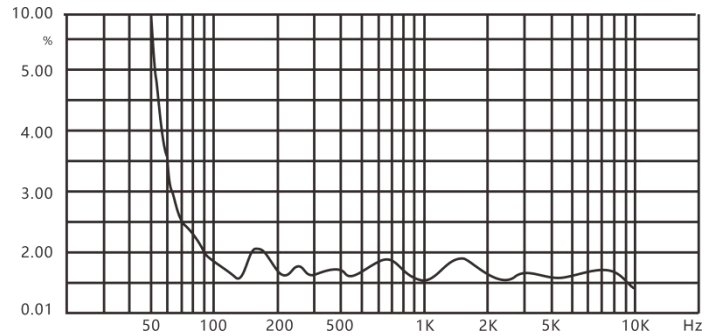
Technical Parameters

Frequency Response
(dB SPL, 1W, 1m)

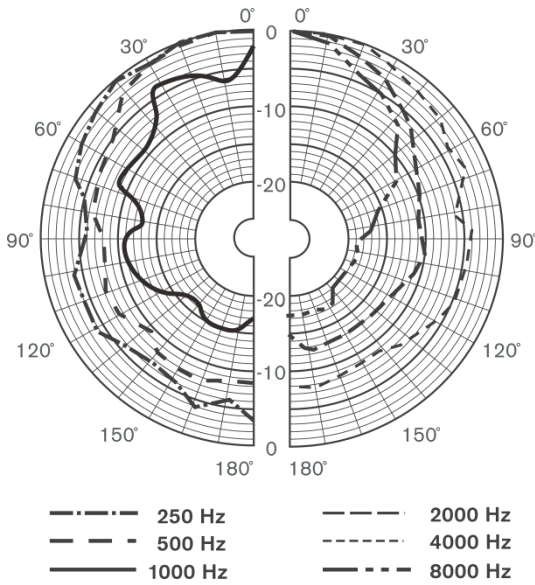


Distortion

(THD < 5% 1W, 1m, 100Hz-10kHz)



Vertical Directivity Pattern



Horizontal Directivity Pattern

